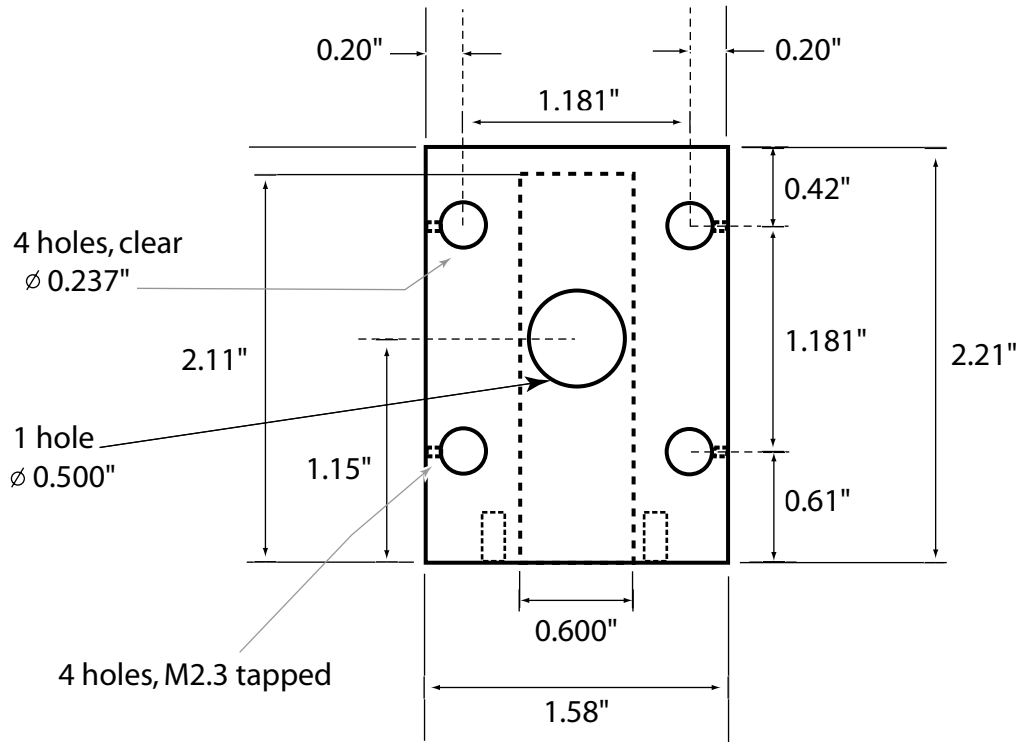


Linus Compatible PMT Holder

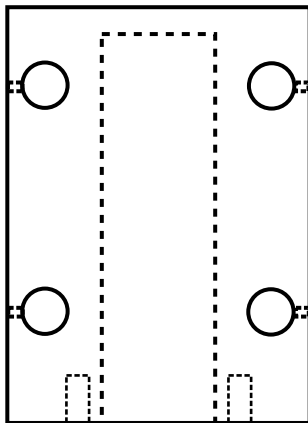
Material : Aluminum, BLACK ANODIZED

Tolerances : x.xxx +/- 0.005"

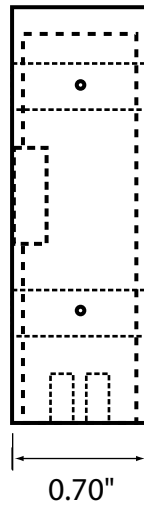
x.xx +/- 0.01"



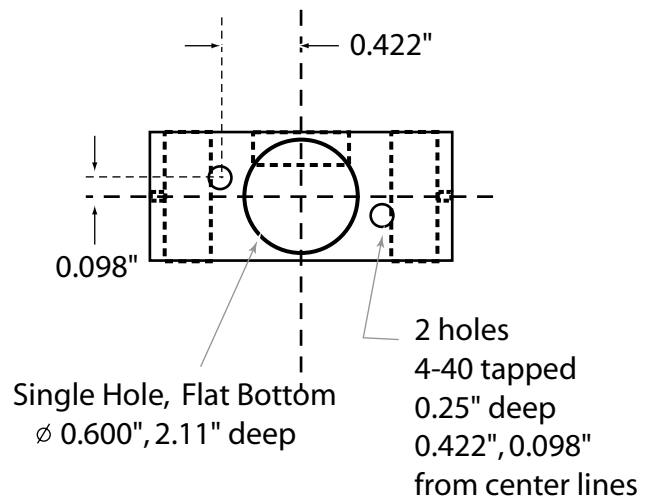
FRONT VIEW



BACK VIEW



SIDE VIEW



BOTTOM VIEW

Requestor : Phil Tsai / Kleinfeld Lab 858-534-3562

Quantity : 2